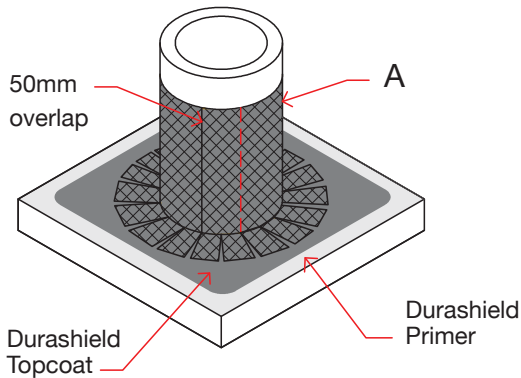


Durashield pipe penetration build-up

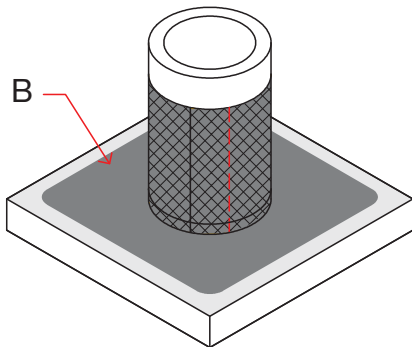
1.



1.

- > Durashield Primer is used as first coat.
- > Durashield Topcoat is applied by brush or roller to the clean prepared and primed substrate.
- > Cut the upstand collar scrim reinforcement (A) ensuring a minimum 150mm upstand height and 50mm minimum overlap around the circumference of the pipe.
- > Mask the top section of the pipe to ensure a neat appearance before applying Durashield Topcoat.
- > Position the upstand collar scrim reinforcement (A) with each tail at right angles to the pipe.
- > Roll or brush to remove air and to bring the Durashield Topcoat through the upstand collar scrim reinforcement (A) avoiding creasing.

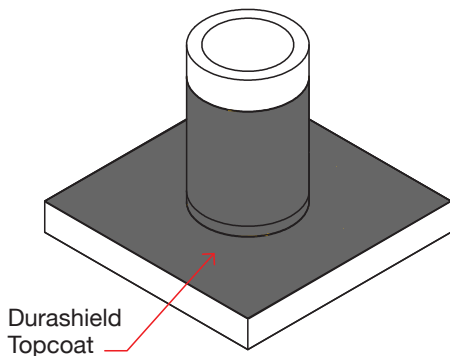
2.



2.

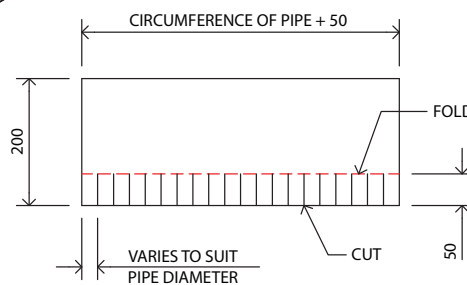
- > Apply Durashield Topcoat to the deck and slide the collar scrim reinforcement (B) over and down the pipe.
- > The collar scrim reinforcement (B) will stretch to form an upstand collar and double reinforcement at the deck/pipe junction.
- > Brush or roller the collar scrim reinforcement (B) to remove any trapped air and bring the Durashield Topcoat through the collar scrim reinforcement (B) avoiding creasing.

3.



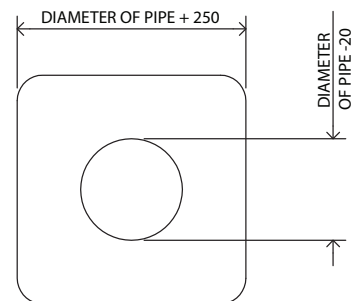
3.

- > Apply final coat of Durashield Topcoat to whole area.



Detail A

Upstand collar scrim reinforcement



Detail B

Collar scrim reinforcement